


Special Features

- Stainless steel case & ring
- Available ranges: 25 mbar to 600 mbar
- Compact design
- Provision for zero adjustment
- Standard followed in general EN 837-3

Application

- Low pressure draft measurement
- Food & beverages,
- Pharmaceutical
- Breweries
- Conventional
- Nuclear power plants
- Clean air
- Gaseous
- Low viscous liquid & non corrosive media that will not obstruct the pressure system.

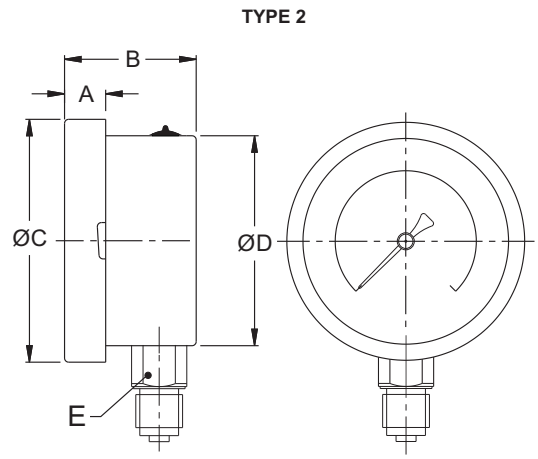
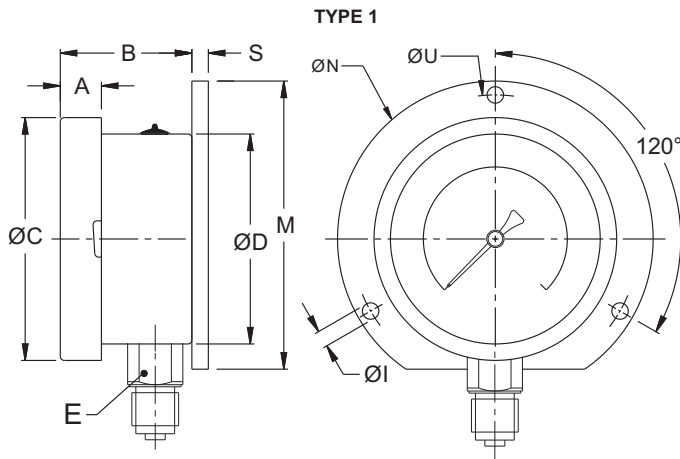
Specifications
Standard Version : 63 mm, 100 mm, 125 mm & 150 mm

Accuracy	:	±1.6% of F.S.
Ambient temperature	:	- 25°C to + 65°C
Process temperature	:	Max 150°C
Operating pressure	:	75 % of Scale Value
Over pressure	:	130% of Max. Scale Value
Case & Bezel	:	AISI 304 SS (Bayonet Type)
Capsule	:	AISI 316 SS
Socket	:	AISI 316L SS
Movement	:	AISI 304 SS
Joints	:	Tig Argon Arc Welding
Protection	:	IP 65 (IP 55 for NS 63 mm)
Dial	:	Aluminium, black graduation on white background with zero adjustment provision
Pointer	:	Aluminium, black Coloured, Fixed
Window	:	Sheet Glass
Gasket	:	Neoprene
Vent Plug	:	Nitrile (For 63 mm) and EPDM (For 100 mm, 125 mm and 150 mm)
BOD	:	Neoprene (For 100 mm, 125 mm and 150 mm sizes)

Temperature effect :

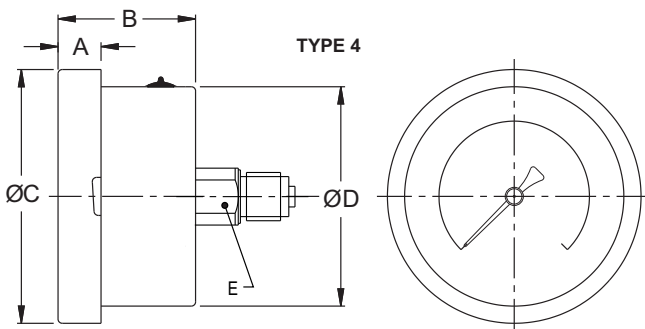
The variation of indication caused by effects of temperature is to be calculated by below formula; which is to be added in the specified accuracy while measurement :- Formula : $\pm 0.06 \times (t_2 - t_1) \% \text{ of F. S.}$ where t_1 = reference temperature (+20°C) and t_2 = ambient temperature in °C.

Dimensions - standard version

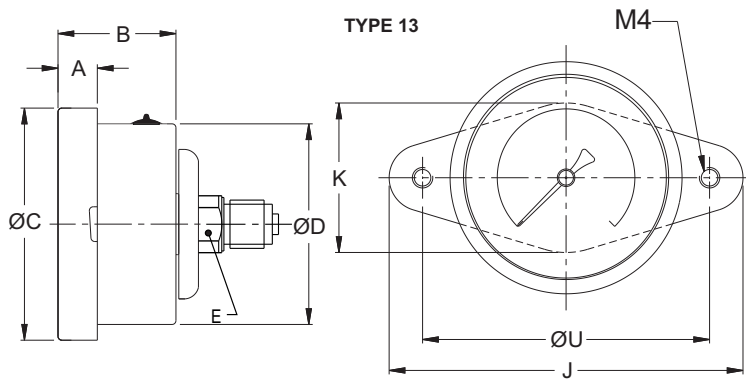


NS	A	B	ØC	ØD	E	S	ØN	ØI	ØU	M	Weight in gram (With Box)
63	12.5	46	77.5	66.5	14	7	86	3.6	75	80	300.0

NS	A	B	ØC	ØD	E	Weight in gram (With Box)
63	12.5	46	77.5	66.5	14	270.0

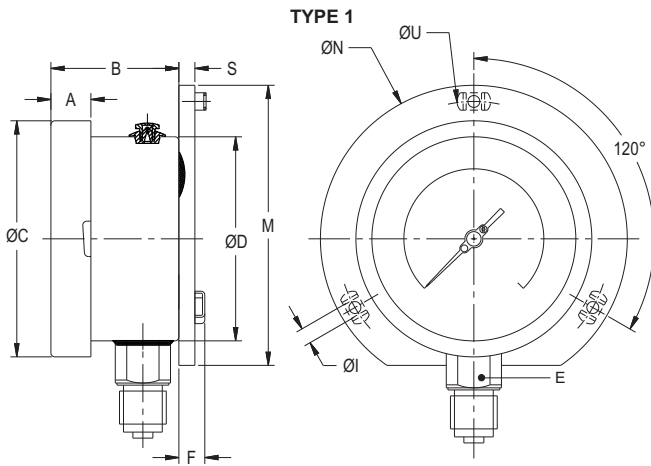


NS	A	B	ØC	ØD	E	Weight in gram (With Box)
63	12.5	46	77.5	66.5	14	260.0

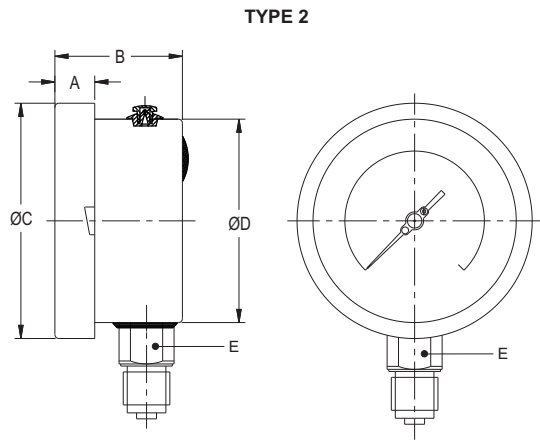


NS	A	B	ØC	ØD	E	J	K	ØU	Weight in gram (With Box)
63	12.5	46	77.5	66.5	14	91	38	70.5	260.0

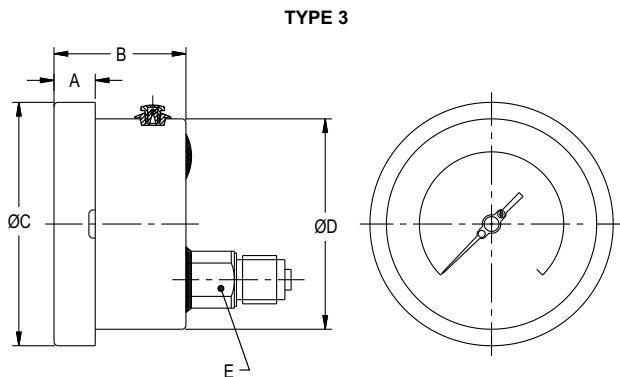
Dimensions - standard version



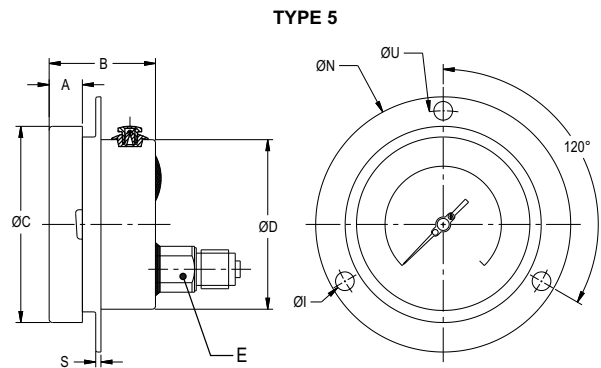
NS	A	B	ØC	ØD	E	M	S	F	ØI	ØN	ØU	Weight in gram (With Box)
100	12.5	45	111	100	22	128	6	14.5	6	134	118	690.0
125	15	46	129	119	22	143	4	15	6	152	138	760.0
150	15	46.5	161	149	22	174.5	6	15	6	186	168	1110.0



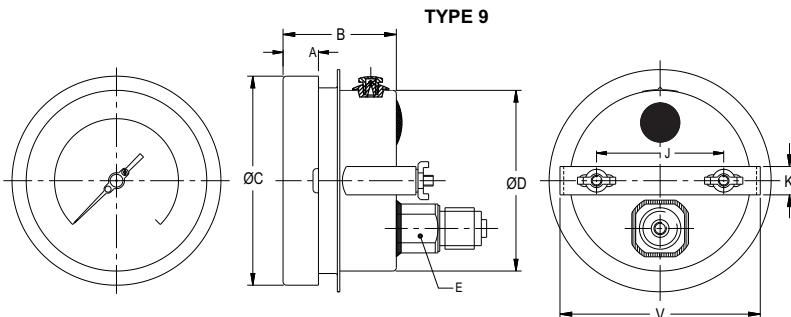
NS	A	B	ØC	ØD	E	Weight in gram (With Box)
100	12.5	47	111	100	22	605.0
125	15	48	129	119	22	670.0
150	15	49	161	149	22	1030.0



NS	A	B	ØC	ØD	E	Weight in gram (With Box)
100	12.5	47	111	100	22	640.0
125	15	48	129	119	22	750.0
150	15	49	161	149	22	1000.0



NS	A	B	ØC	ØD	E	S	ØI	ØN	ØU	Weight in gram (With Box)
100	12.5	47	111	100	22	1	6	134	118	695.0
125	15	48	129	119	22	4	6	150	137	850.0
150	15	49	161	149	22	5	6	186	168	1100.0



NS	A	B	ØC	ØD	E	J	K	V	Weight in gram (With Box)
100	12.5	47	111	100	22	72	16	108	740.0
125	15	48	129	119	22	75	16	125	890.0
150	15	49	161	149	22	106.5	16	166	1100.0

Notes : • Drawings are not to scale. • All Dimensions are in mm. • NS = Nominal Size.

Range Table

Note : We offer National / International Scales like mbar, kPa, inWC, MWC, inHg, mmHg & Dual Scale or Equivalent scales as per the requirement can be provided on request. Following are the example tables for mmWC scales.

Pressure range

Single scale - mmWC				
0/250	0/600	0/1600	0/2500	0/6000
0/400	0/1000	0/2000	0/4000	

Vacuum & Compound range

Single scale - mmWC				
- 250/0	- 600/0	- 1600/0	- 2500/0	- 6000/0
- 400/0	- 1000/0	- 2000/0	- 4000/0	
Single scale - mmWC				
- 100/150	- 200/400	- 600/1000	- 1000/1500	- 2000/4000
- 150/250	- 400/600	- 800/1200	- 1500/2500	

Accessories (Refer datasheet for complete specifications)

EC Gauge cock **EH** Siphon

How To Order
Example

Basic Model							AF
Code							
Nominal Size							
		D	F	G	H		
		63 mm	100 mm	125 mm	150 mm		X
Type of Mounting							
1	Wall/ surface/ projection mounting With bottom entry		✓	✓	✓	✓	
2	Direct bottom entry		✓	✓	✓	✓	
3	Direct lower back entry		X	✓	✓	✓	X
4	Direct center back entry		✓	X	X	X	OR
5	Lower back entry with front flange		X	✓	✓	✓	XX
9	Lower back entry with mounting bracket		X	✓	✓	✓	
13	Center back entry with mounting bracket		✓	X	X	X	
Gauge Connection (# Applicable for NS 63 mm)							
2BM	1/4" BSP (M)#	3BM	3/8" BSP (M)*	4BM	1/2" BSP (M)*	4MM	M20 x 1.5 (M)*
2NM	1/4" NPT (M)#	3NM	3/8" NPT (M)*	4NM	1/2" NPT (M)*		
* These connections will be provided through adaptors for NS 63 mm. Consult factory for minimum order quantity, price & delivery. Note : Connections like Metric/ PT/ PF/ Flaired/ UNF/ G/ R etc can be provided on request.							
Range							0/600 mmWC
Refer range table							
Optional extras (** For NS 100 mm & above)							
PS	AISI 316 case & bezel**			RW	Plexi glass		
PW	Five point calibration certificate			RX	Shatterproof / safety glass		
PU	Calibration certificate traceable to national/ International standards			RZ	Toughened glass		
QB	Integral dampening screw (AISI 316 SS)			SW	Dial tag marking		
RH	Custom designed dial			GH	Material test certificates*		
SU	Brass movement			SX	SS tag plate		XX

* Material test certificates will be provided for wetted parts only with chemical composition testing. For others, please consult Factory.

Ordering Example: AF . X . X OR XX . XXX . 0/600 mmWC . XX

For other optional items, please contact factory for delivery and minimum quantity of order.

Note : Specifications and dimensions given in this product catalogue represents the state of engineering at the time of printing .
Modifications may take place and materials specified may be replaced by others without prior notice.